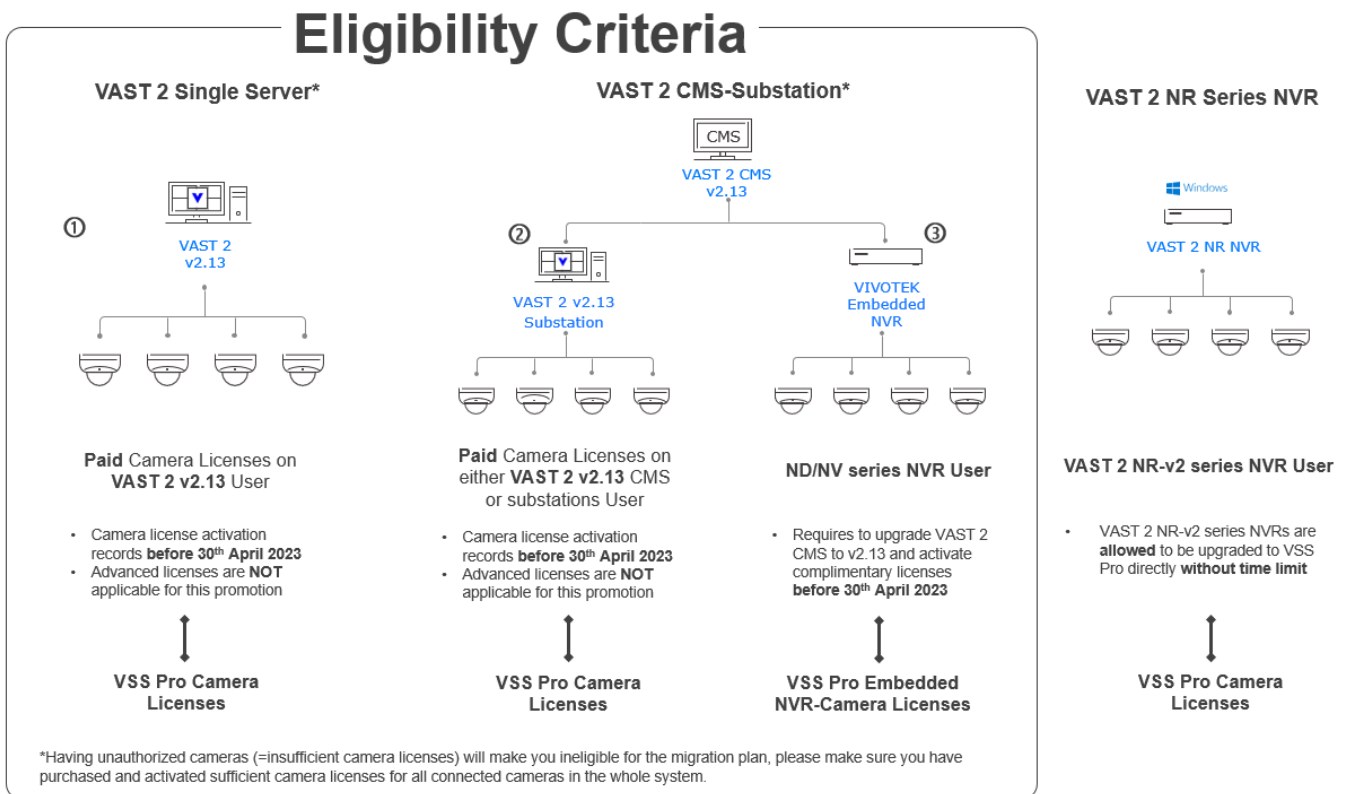


VSS Migration Eligibility and Application Guide

The migration plan aims to encourage our valuable paid customers to migrate to VSS and this guide explains the eligibility criteria, process, and timeline.

Eligibility Criteria



Process and Timeline

Before Application: Verify your eligibility and get ready before 30th June 2023

1. Check if you are **eligible** for this migration plan: Have either (1) Paid VAST 2 Camera Licenses (*Having **insufficient camera licenses** will make you **ineligible** for this migration plan*) or (2) Paid ND/NV Series NVRs in the whole system.
2. Make sure that the whole system has been all upgraded to [VAST 2 v2.13](#) (64-bit OS + 64-bit Installation Package) and you have activated all VAST 2 camera licenses including complimentary camera licenses **by 30th June 2023** (Refer to [Instruction Manual](#) for more information)

Important Notice

1. Virtual Machine Users: Please put the migration on hold until VSS v1.1 release (2023 Q3) or change to a physical machine before the migration.
2. Dongle License Users: Please change to software licenses first before applying to this migration plan.

Submit Application: Apply from 10th March 2023 to 31st August 2023

1. If you are eligible and complete the prerequisites for the migration, you can click on the [Transfer License](#) on the [Event Page](#) for the application.
2. On the application website, you can:
 - (1) Upload the exported camera license request file (.REQ) from VAST 2 v2.13 server. Ensure all your cameras are connected to VAST 2 server when you export the license request file, the converted VSS License quantity is calculated based on your purchased license and connected camera quantity.
 - (2) Download converted VSS license file (.LIC) *(The license file can only be applied to the same VAST 2 hardware)*
 - (3) If you want to learn more about how we transfer the licenses, refer to [License Transfer Calculation](#) for more information.
3. Afterwards, you can find time:
 - (1) Migrate to [VSS](#) *(64-bit Installation Package only)*
 - (2) Import VSS license file (.LIC)
 - (3) Enjoy VSS!

License Transfer Calculation

- Used Complimentary License**

If VVTK Camera QTY \leq 32, Used Complimentary License = VVTK Camera QTY

If VVTK Camera QTY \geq 32, Used Complimentary License = 32

- Used Paid License**

If VVTK Camera QTY \geq 32, Used Paid License = (VVTK Camera QTY - 32) + ONVIF Camera QTY

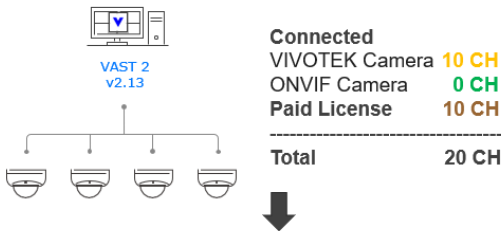
If VVTK Camera QTY \leq 32, Used Paid License = ONVIF Camera QTY

- Available Paid License**

=Paid License QTY - Used Paid License

Case Study: VAST 2 Single Server

[Case 1] VIVOTEK Cameras Only



Complimentary License

Used 10

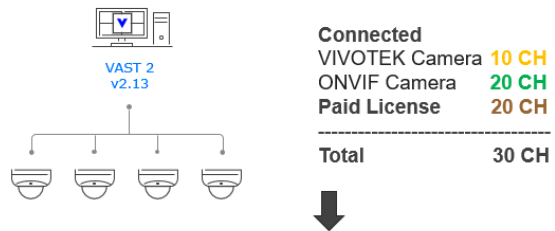
Paid License

Used 0 Available 10 (10-0)

You will get **20 CH** (10 + 0 + 10)

VSS Pro Camera Licenses

[Case 2] VIVOTEK + ONVIF Cameras



Complimentary License

Used 10

Paid License

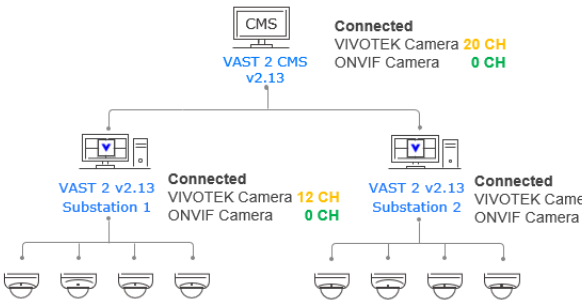
Used 20 Available 0 (20-20)

You will get **30 CH** (10 + 20 + 0)

VSS Pro Camera Licenses

Case Study: VAST 2 CMS-Substations

[Case 1] VIVOTEK Cameras Only



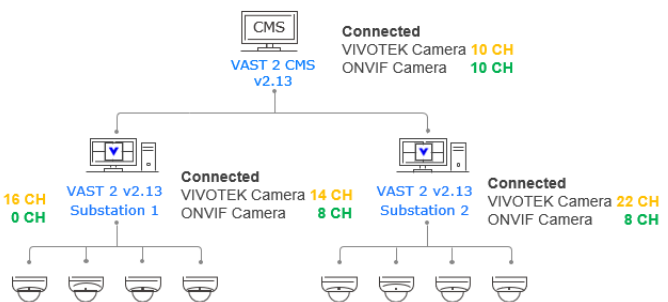
Connected VIVOTEK Camera 48 CH (20 + 12 + 16)
ONVIF Camera 0 CH
Paid License 20 CH

Complimentary License
Used 32

Paid License
Used 16 (48 - 32) Available 4 (20 - 16)

You will get **52 CH** (32 + 16 + 4) VSS Pro Camera Licenses in total. These 52 CH will be distributed to each server (20 CH for CMS, 12 CH for Substation 1, 16 CH for Substation 2) based on your system deployment and extra 4 CH camera licenses can be assigned to any server by users during the license conversion process

[Case 2] VIVOTEK + ONVIF Cameras



Connected VIVOTEK Camera 46 CH (10 + 14 + 22)
ONVIF Camera 26 CH (10 + 8 + 8)
Paid License 40 CH

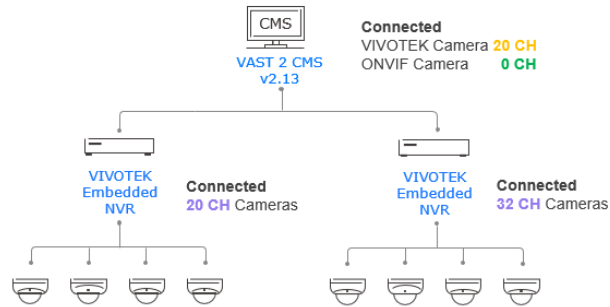
Complimentary License
Used 32

Paid License
Used 40 (46 - 32 + 26) Available 0 (40 - 40)

You will get **72 CH** (32 + 40 + 0) VSS Pro Camera Licenses in total. These 72 CH will be distributed to each server (20 CH for CMS, 22 CH for Substation 1, 30 CH for Substation 2) based on your system deployment

Case Study: VAST 2 CMS-ND/NV Series NVRs

[Case 1] VIVOTEK Cameras Only

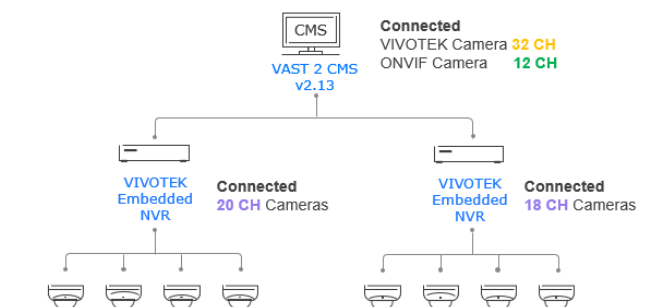


Connected Cameras on VAST 2 CMS
VVTK Camera 20 CH
ONVIF Camera 0 CH
Connected Cameras on ND Series NVR
32 CH (20 + 32)
Paid License 10 CH

Complimentary License
Used 20
Paid License
Used 0 Available 10 (10 - 0)

You will get
30 CH (20 + 0 + 10) VSS Pro Camera Licenses in total and
52 CH VSS Pro embedded NVR Camera license

[Case 2] VIVOTEK + ONVIF Cameras



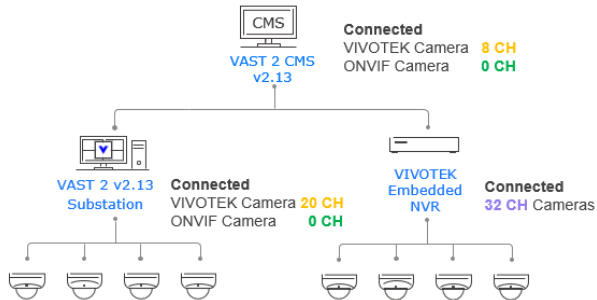
Connected Cameras on VAST 2 CMS
VVTK Camera 32 CH
ONVIF Camera 12 CH
Connected Cameras on ND Series NVR
38 CH (20 + 18)
Paid License 30 CH

Complimentary License
Used 32
Paid License
Used 12 Available 18 (30 - 12)

You will get
62 CH (32 + 12 + 18) VSS Pro Camera Licenses in total and
38 CH VSS Pro embedded NVR Camera license

Case Study: VAST 2 CMS-Hybrid Substations

[Case 1] VIVOTEK Cameras Only

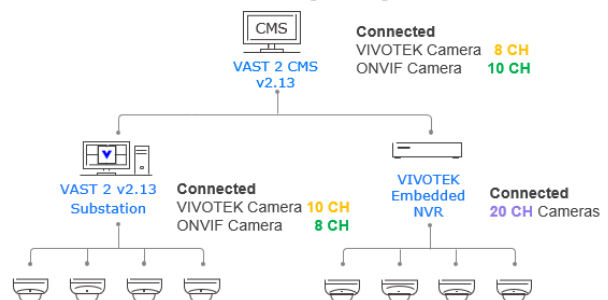


Connected Cameras on VAST 2 CMS
VVTK Camera 8 CH
ONVIF Camera 0 CH
Connected Cameras on VAST 2 Substation
VVTK Camera 20 CH
ONVIF Camera 0 CH
Connected Cameras on ND Series NVR
32 CH
Paid License 0 CH

Complimentary License
Used 28
Paid License
Used 0 Available 0

You will get 28 CH (28 + 0 + 0) VSS Pro Camera Licenses in total plus 32 CH VSS Pro Embedded NVR-Camera Licenses for CMS. 28 CH VSS Pro Camera Licenses will be distributed to corresponding server (8 CH for CMS and 20 CH for Substation) based on your system deployment

[Case 2] VIVOTEK + ONVIF Cameras



Connected Cameras on VAST 2 CMS
VVTK Camera 8 CH
ONVIF Camera 10 CH
Connected Cameras on VAST 2 Substation
VVTK Camera 10 CH
ONVIF Camera 8 CH
Connected Cameras on ND Series NVR
20 CH
Paid License 20 CH

Complimentary License
Used 18
Paid License
Used 18 Available 2 (20 - 18)

You will get 38 CH (18 + 18 + 2) VSS Pro Camera Licenses in total plus 20 CH VSS Pro Embedded NVR-Camera Licenses for CMS. 38 CH VSS Pro Camera Licenses will be distributed to corresponding server (18 CH for CMS and 18 CH for Substation) based on your system deployment and extra 2 CH camera licenses can be assigned to any server by users during the license conversion process